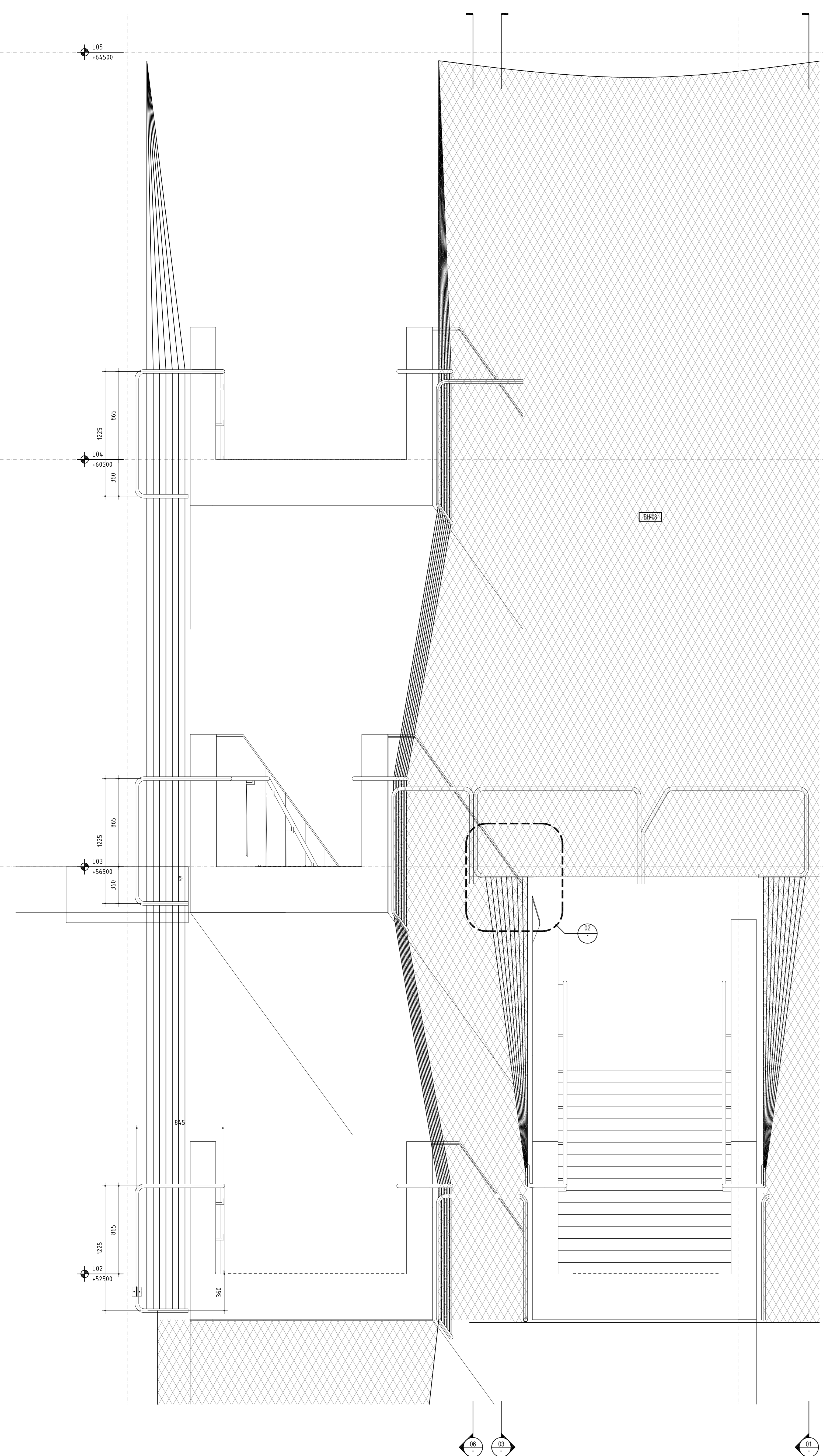


THIS DRAWING IS AN UNCONTROLLED COPY UNLESS STAMPED OTHERWISE

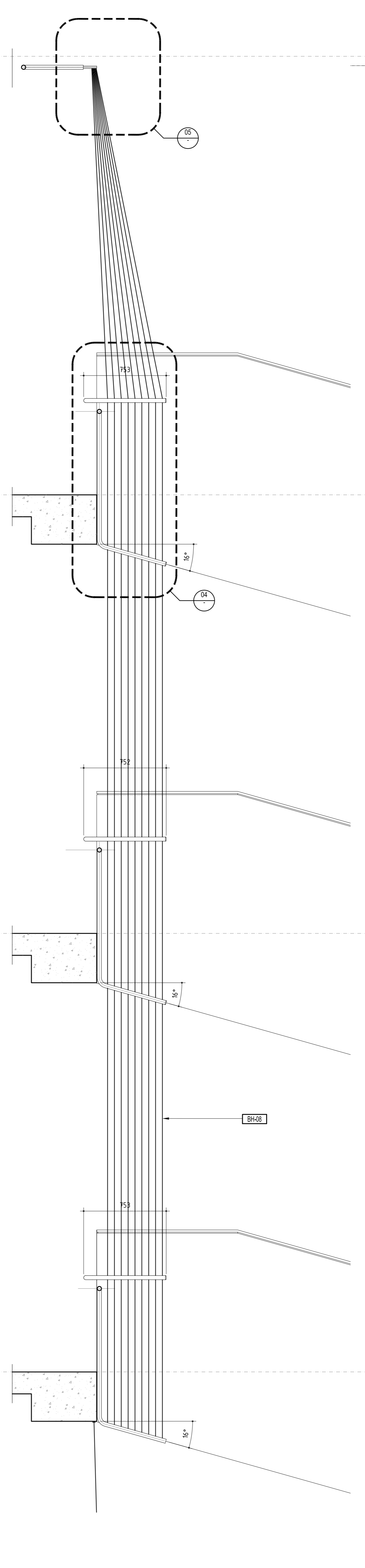
CONTRACTORS SHALL VERIFY JOB DIMENSIONS BEFORE ANY JOB COMMENCES. ALL SHOP DRAWINGS SHALL BE SUBMITTED TO THE SUPERINTENDENT AND MANUFACTURE SHALL NOT COMMENCE PRIOR TO THE RETURN OF DIMENSIONED SHOP DRAWINGS SIGNED BY THE CONSULTANT. DIMENSIONS SHALL TAKE PRECEDENCE OVER SCALES. THIS DRAWING SHOULD BE READ IN CONJUNCTION WITH ALL RELEVANT CONTRACT SPECIFICATIONS AND DRAWINGS COPYRIGHT OF THIS DRAWING IS VESTED IN JWADLE

General Notes

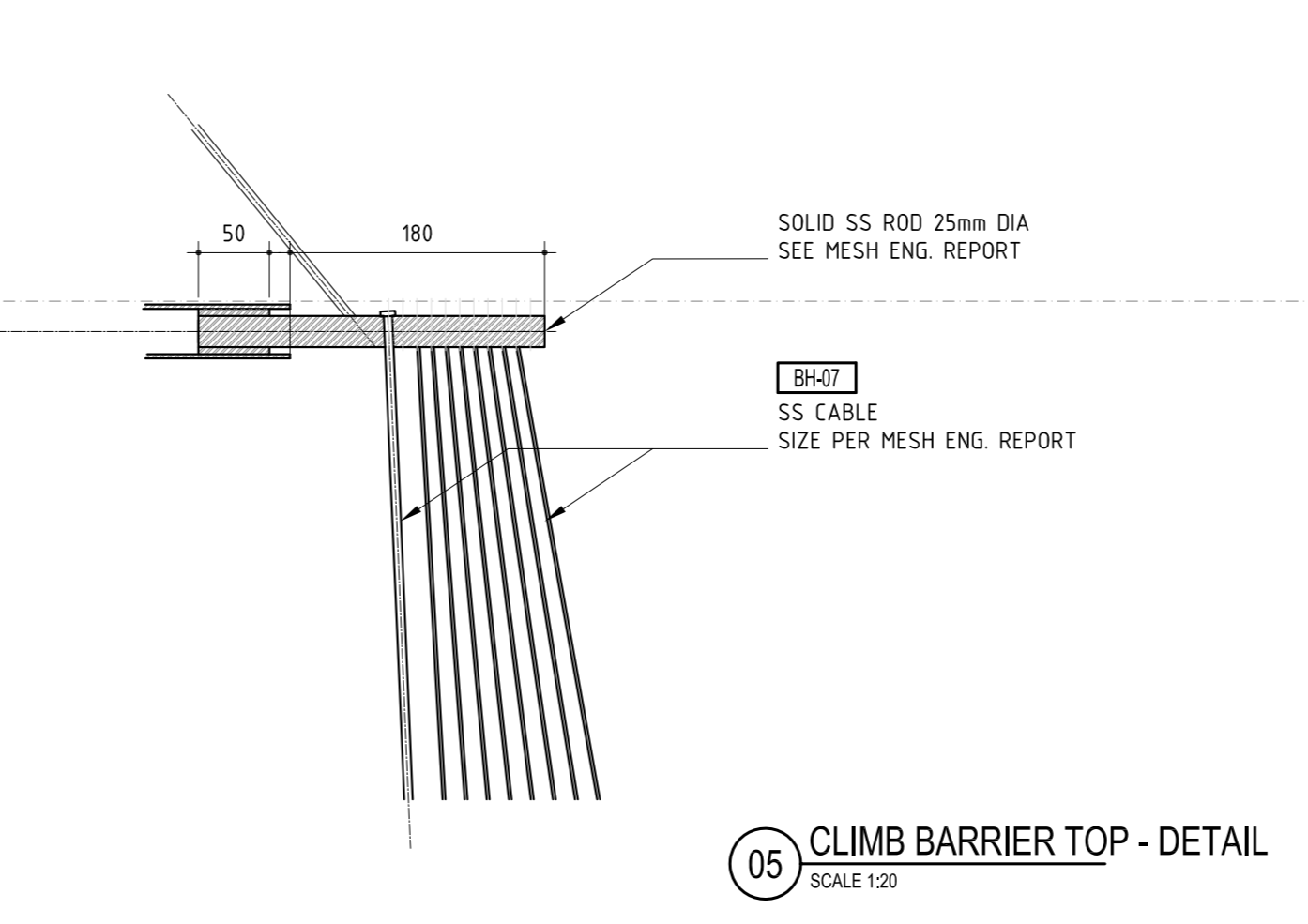
- 01. SEE MESH ENGINEER DRAWINGS FOR ALL SS MESH AND CABLE CONNECTION DETAILS, INCLUDING CLAMPS, BRACKETS, TURN BUCKLES STUDS CLEATS ANCHORS AND ENDSTOPS.
- 02. SEE STRUCTURAL FOR ALL CONNECTIONS TO CONCRETE POCKETS



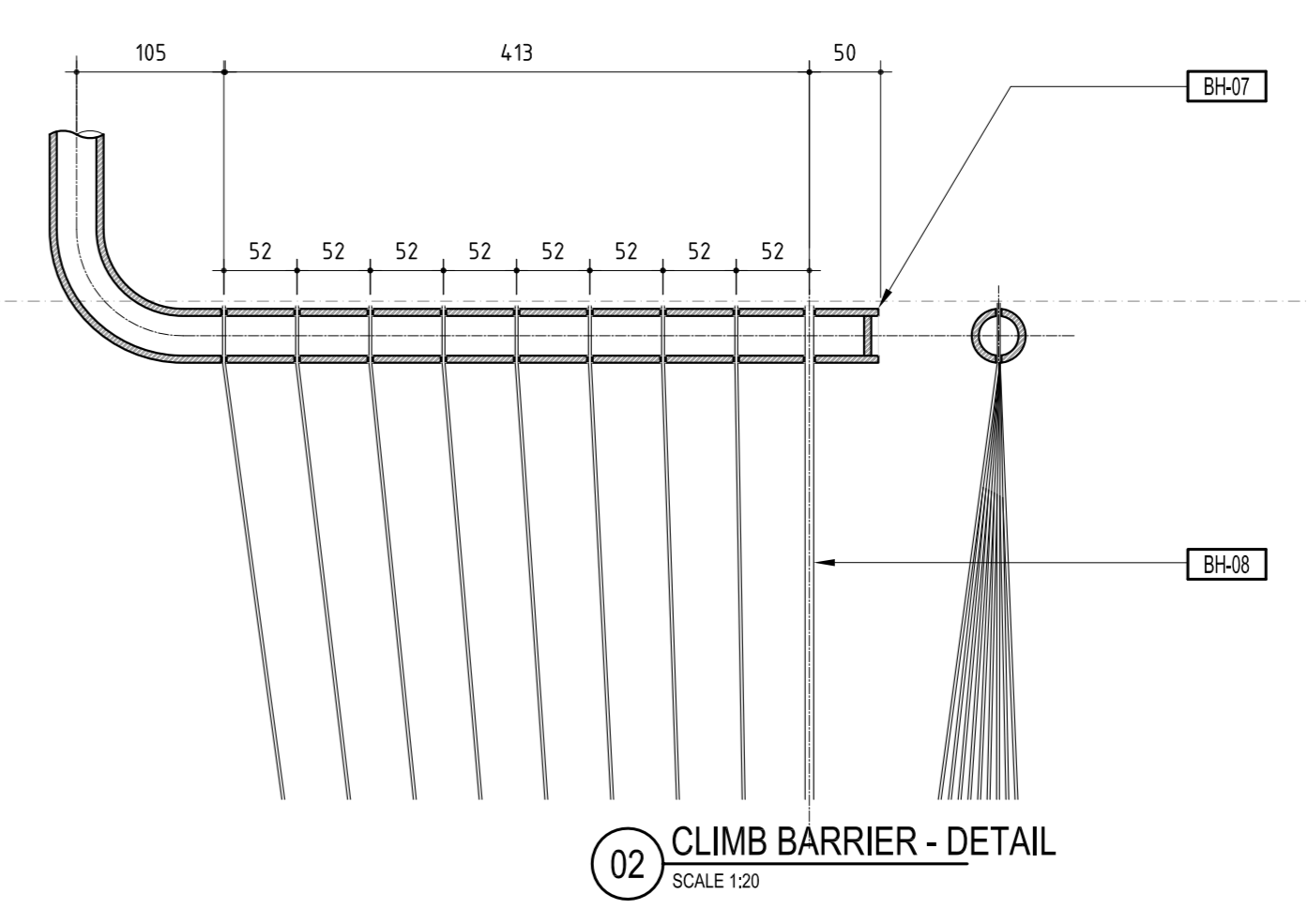
04 CABLE BARRIER - SECTION SOUTH  
SCALE 1:20



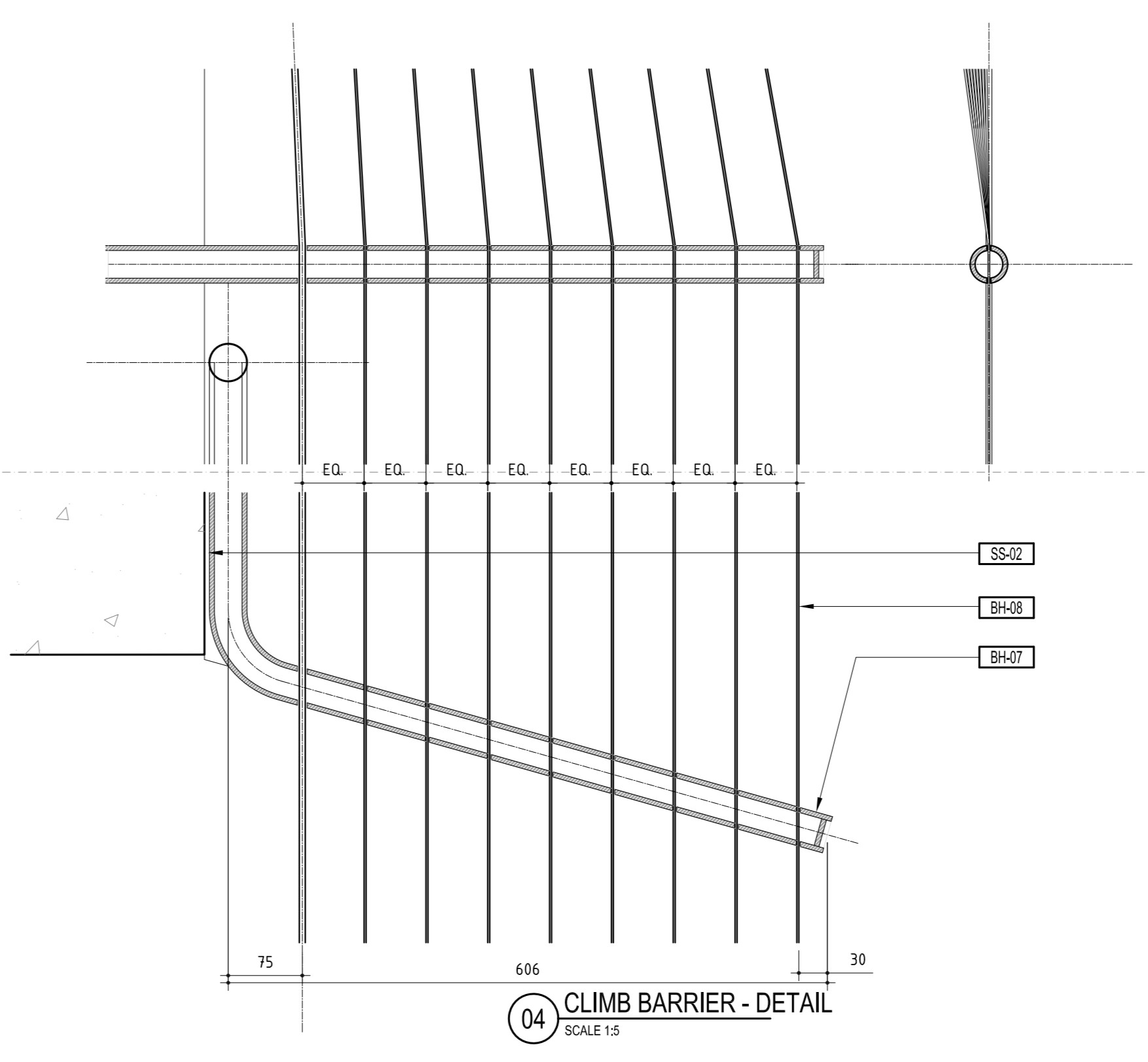
06 CLIMB BARRIER - ELEVATIONS  
SCALE 1:20



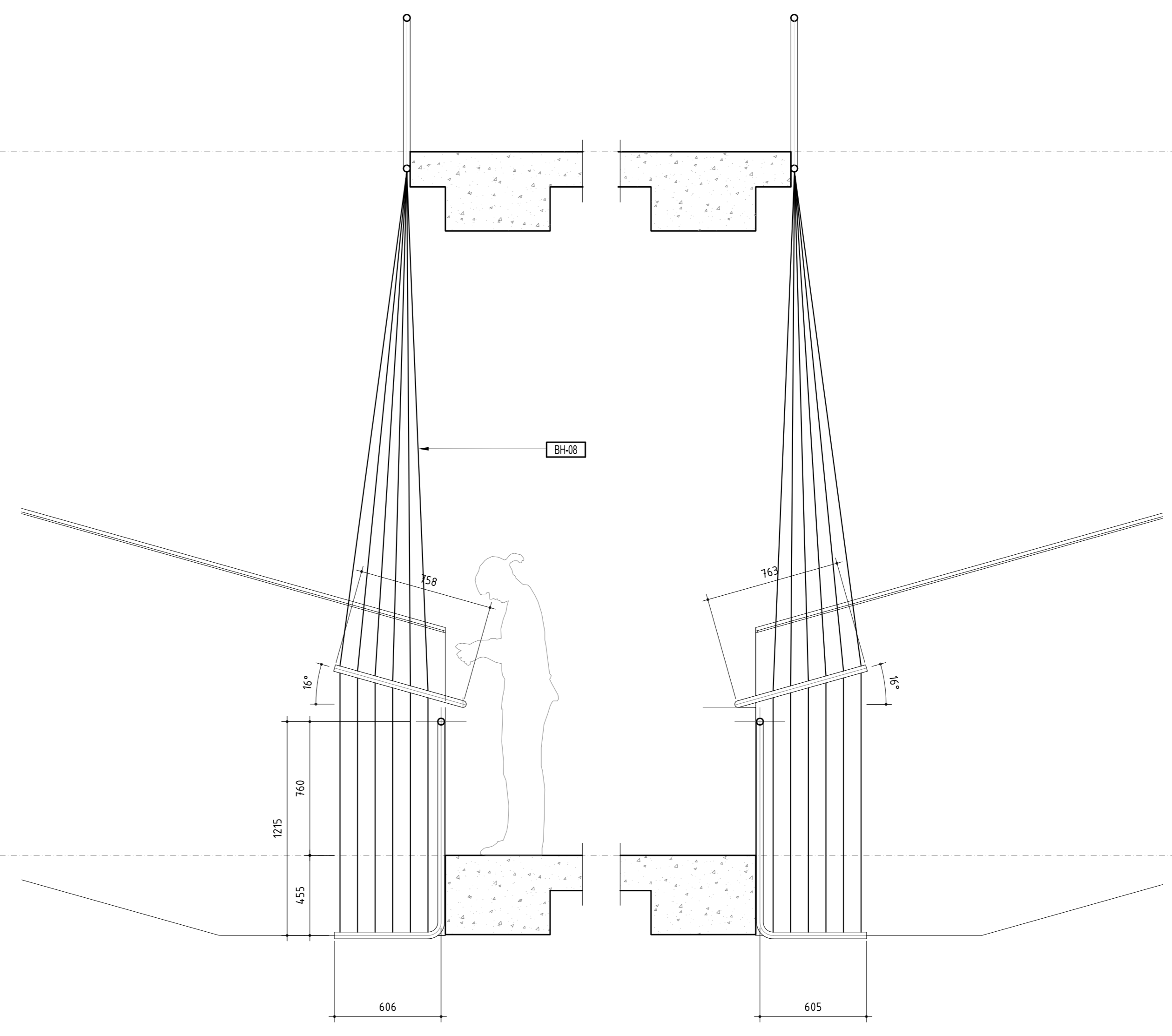
05 CLIMB BARRIER TOP - DETAIL  
SCALE 1:20



02 CLIMB BARRIER - DETAIL  
SCALE 1:20



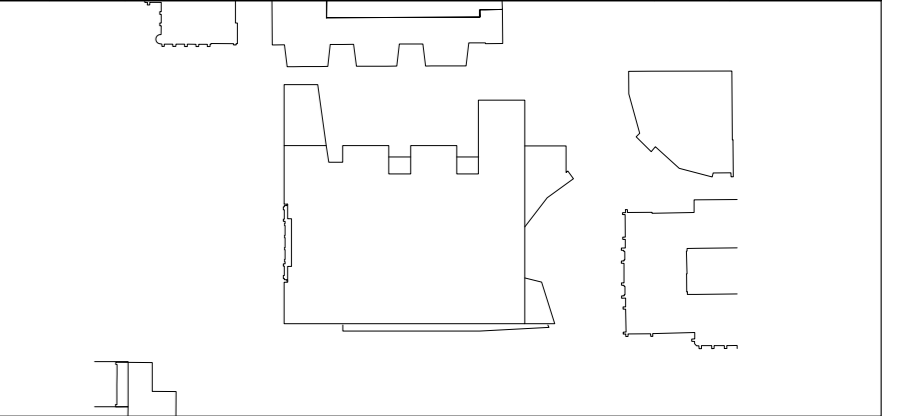
04 CLIMB BARRIER - DETAIL  
SCALE 1:5



03 CLIMB BARRIER - ELEVATIONS  
SCALE 1:20

01 CLIMB BARRIER - ELEVATIONS  
SCALE 1:20

Rev	Issue	Revision Description	Amd	Date
A	SG	CONSTRUCTION ISSUE	-	03.01.14
03	JC	100% CD - TENDER ISSUE	-	07.08.12
02	JC	90% CD ISSUE	-	10.08.12
01	JC	75% CD ISSUE	-	13.07.12



**NADAAA**  
 NADAAA  
 1320 Washington Street No.2  
 Boston Massachusetts 02118 USA  
 Telephone +1 617 442 8232  
 Facsimile +1 617 442 1417  
 Email nad@nadaaa.com

**John Wardle Architects**  
 © 2011 John Wardle Architects  
 Level 10, 180 Russell Street, Melbourne Victoria 3000 Australia  
 Tel : +613 9654 8700 www.johnwardlearchitects.com

Client **University of Melbourne Parkville Campus**  
 Project **Faculty of Architecture Building and Planning**

Title **MESH BALUSTRADE 000H STAIR CLIMB BARRIER**

Project No.	<b>0913</b>	Scale	1:100
Drawing No.	<b>AR5060</b>	Revision	<b>A</b>

Date JAN 2014 Dwn - Co-Ord - Chk -

FILENAME - #####

**FOR CONSTRUCTION**